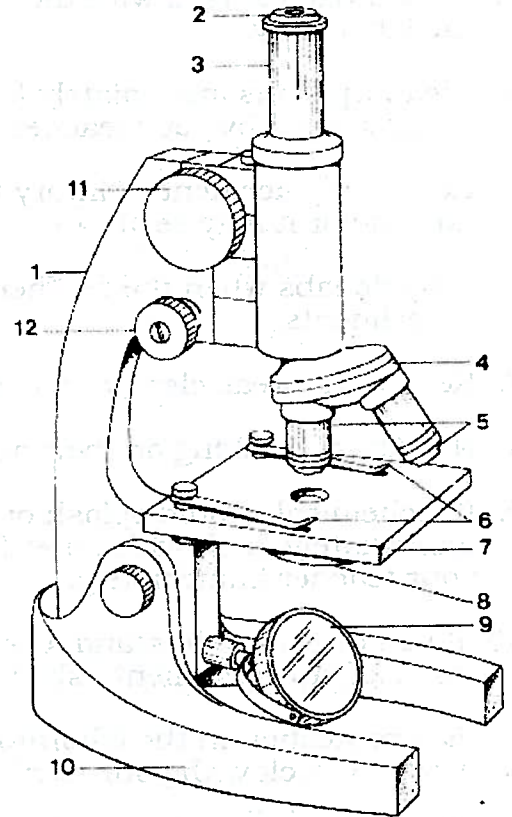


# The Microscope

To use a microscope properly, it is important to learn the name of each part, and its function.

1. **Arm:** Supports the body tube.
2.  **Eyepiece (ocular):** Contains the magnifying lens you look through which is usually 10x.
3.  **Body tube:** Maintains the proper distance between the eyepiece and objective lenses.
4.  **Revolving Nosepiece:** Holds high and low power objective lenses which can be rotated to change magnification.
5.  **Objective lens:** A low-power lens which usually provides 10x magnification and high-power lens which usually provides 40x magnification.
6.  **Stage clips:** Holds the slide in place.
7.  **Stage:** Supports the slide being viewed.
8.  **Diaphragm:** Regulates the amount of light passing through the stage.
9.  **Mirror:** Reflects light upward through the diaphragm, the specimen, and lenses.
10.  **Base:** Supports the microscope.



11.  **Coarse adjustment knob:** Used to acquire an approximate focus of the image (used with low-power objective).
12.  **Fine adjustment knob:** Used to acquire an exact and clear focus of the image (used with high-power objective).